

## BRODZKI MIRROR



### OVERALL DIMENSIONS

#### I. 530MM

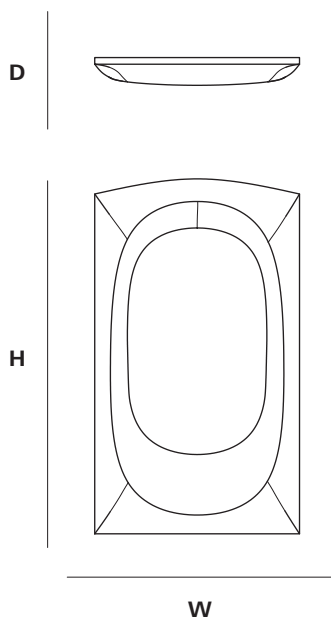
H 530MM x D 42MM x W 307MM

H 20.98IN x D 1.65IN x W 12.08IN

#### II. 730MM

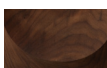
H 730MM x D 42MM x W 420MM

H 28.74IN x D 1.65IN x W 16.53IN



## MATERIALS

### I. TIMBER



Walnut

### I. METAL



Nickel

### WEIGHT

Walnut

(2,100G / 74.04oz)

Nickel

(8,000G / 282.19oz)

## CLEANING INSTRUCTIONS

### I. TIMBER

The carved timber frame is polished and matte-sealed using Danish oil, which nourishes the timber, enhances its grain and protects the surface from dirt and staining. Wipe dry with a clean cloth if necessary.

### II. METAL

The metal used for our range oxidise with age and environment, both of which contribute to the evolution of a natural patina. If you favour the original bright finish of your pieces, this is easily restored by use of polishing solution - we recommend Braso or Silvo depending on the metal in question - applied with a soft, clean cloth.

Because each object is cast in small batches, slight variations will occur from one individual piece to another. Production marks may include slight pour ripples or surface pitting, which imprint every item with a unique character.

**BRODZKI MIRROR**

